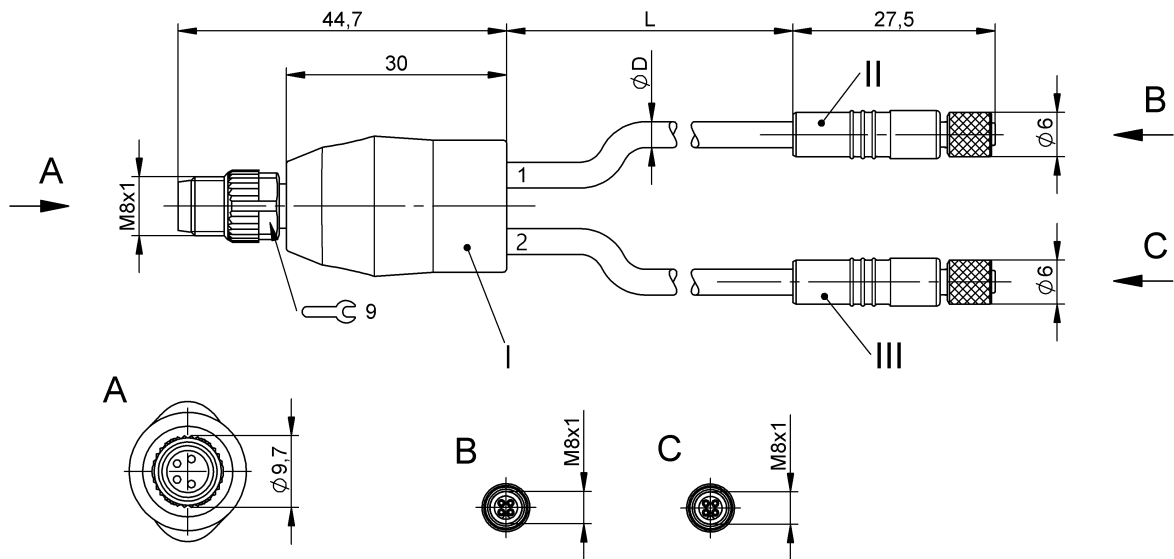


Y-Splitters

BCC M314-M214-M214-U2039-005

Order Code: BCC0CR4

BALLUFF



Basic features

Approval/Conformity	CE WEEE
---------------------	------------

Electrical connection

Bending radius min., fixed cable	5 x D
Bending radius min., flexible cable	10 x D
Cable diameter D	3.50 mm ±0.10 mm
Cable, bending cycles min.	2 mil.
Conductor cross-section	0.14 mm ²
Connection 1	M8x1-Male, straight, 4-pin, A-coded
Connection 2	M5x0.5-Female, straight, 4-pin
Connection 3	M5x0.5-Female, straight, 4-pin
Connector 01, version	straight
Connector 02, version	straight
Connector 03, version	straight
Number of conductors	4/4
Number of pins	4/4/4
System	Molded/Molded/Molded

Electrical data

Operating voltage U _b	30 VDC / 30 VAC
Rated current (40 °C)	1.0 A

Environmental conditions

Cable temperature, fixed routing	-25...80 °C
Cable temperature, flexible routing	-5...80 °C
IP rating	IP67/IP67/IP67

Interface

Switching output	Complementary
------------------	---------------

Material

Cable jacket, material	PUR
Material contact carrier	PUR/PUR/PUR
Material contacts	Brass/Bronze/Bronze
Material cover nut	Brass/Brass/Brass
Material grip	PUR/PUR/PUR

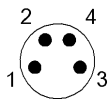
Mechanical data

Acceleration max., drag chain	5 m/s ²
Cable jacket, color	black
Cable length L	0.50 m
Cable properties	drag chain compatible
Horizontal travel permitted, drag chain	5 m
Tightening torque pigtail	0.4 Nm/-/-
Traverse speed max., drag chain	200 m/min
Vertical travel permitted, drag chain	5 m

Remarks

Enclosure rating per IEC 60529, only in screwed state with the associated mating piece.

Connector Drawings



I

II, III

Wiring Diagrams

